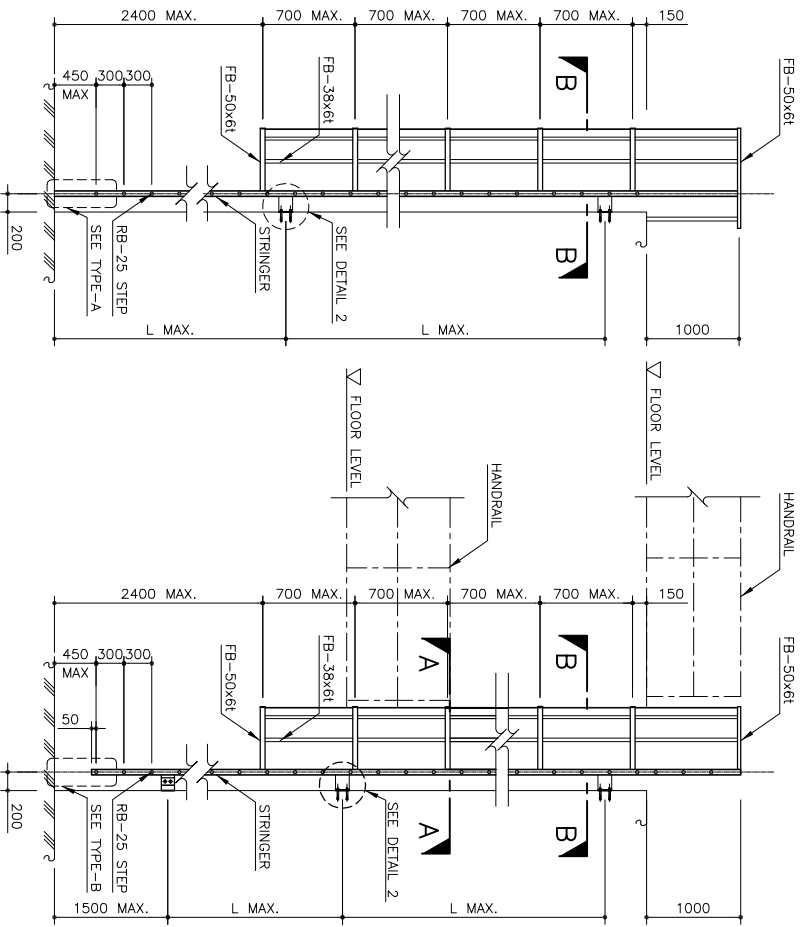
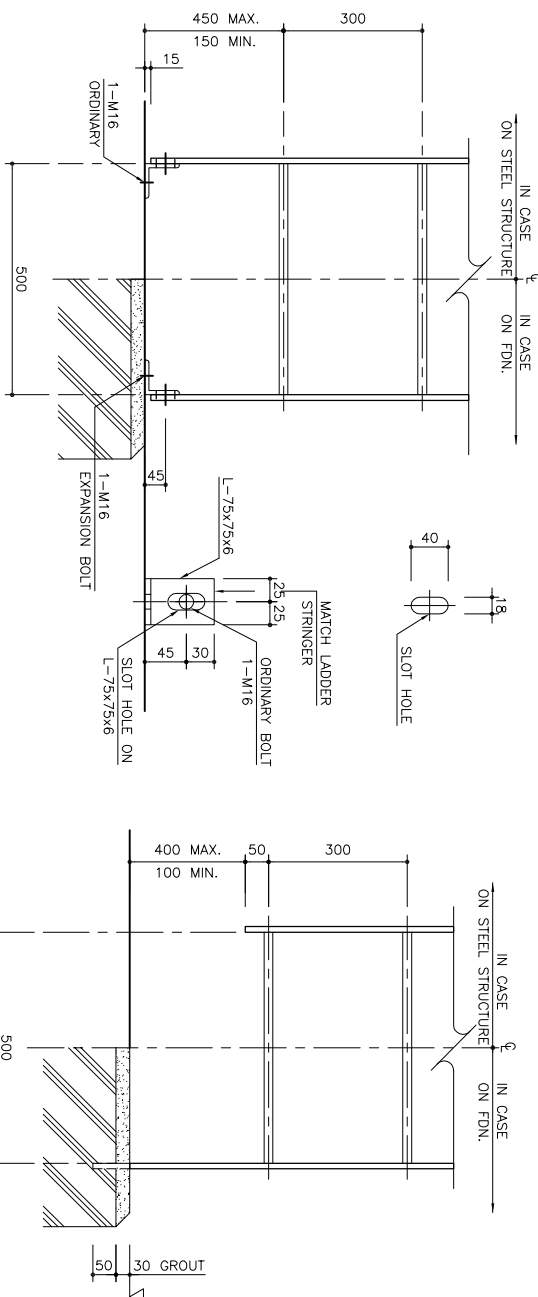


① TYPICAL ELEVATION



⑥ DETAIL 1



NOTE :

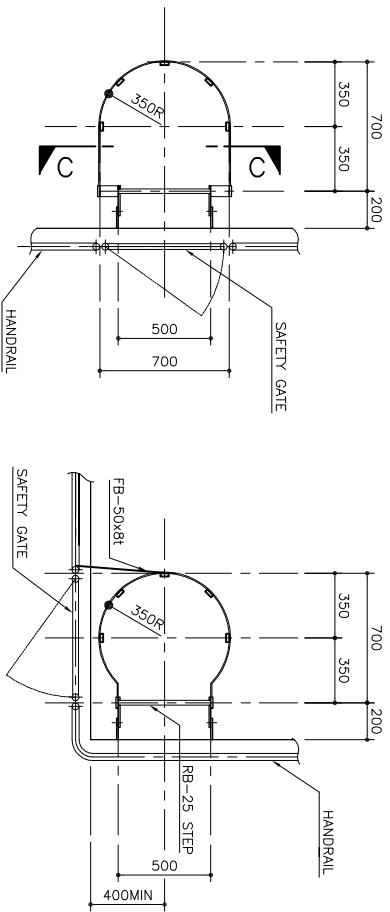
- WHERE REQUIREMENTS IN THE DESIGN DRAWING ARE IN CONTRADICTION TO REQUIREMENTS IN STANDARD DRAWINGS, THE DESIGN DRAWING SHALL GOVERN.
- CAGES ARE REQUIRED FOR LADDERS WITH HEIGHT OF 2.2 METRES AND OVER
- LADDERS SHALL BE SHOP WELDED CONSTRUCTION
- ALL PROJECTING CUT EDGES ON LADDERS AND CAGES SHALL BE ROUNDED TO SMOOTH FINISH
- ORDINARY BOLT SHALL BE ASTM A307 (HOT DIPPED GALVANIZED)

SIZE
STRINGER : FB-60x12t , Max L=3000
STRINGER : L-65x65x6 , Max L=5000
STRINGER : L-75x75x6 , Max L=9000
LADDER RUNG : Ø25 ROUND BAR
CAGE HOOP : FB-50x6t
CAGE VERTICAL : FB-38x6t
TOP RAIL : FB-50x6t
COLOR : YELLOW

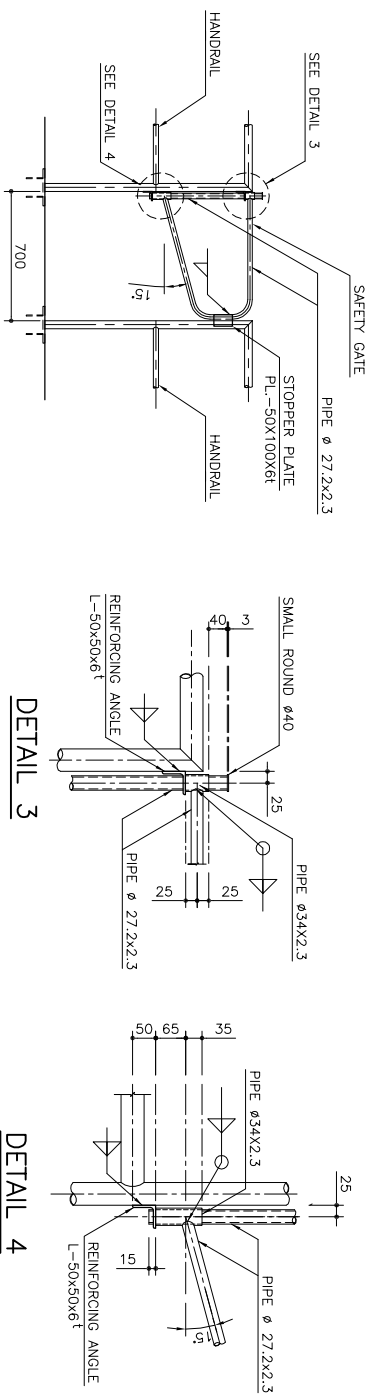
② TYPICAL CROSS SECTION

SIDE-STEP TYPE

STEP-THROUGH TYPE



⑧ SAFETY GATE DETAIL



STEP-THROUGH TYPE

SIDE-STEP TYPE

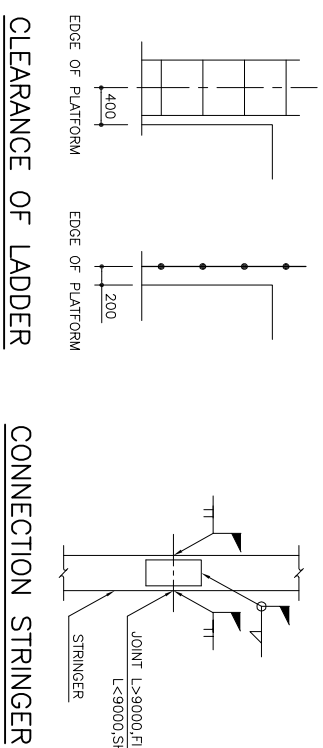
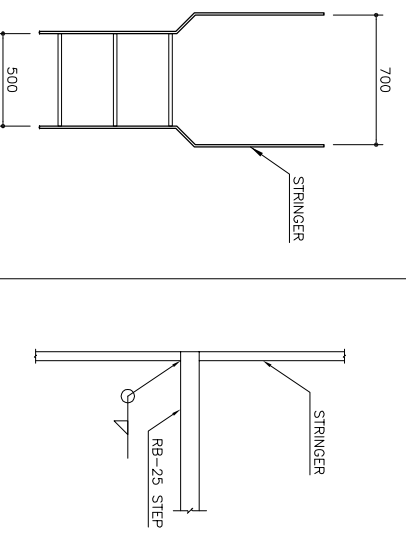
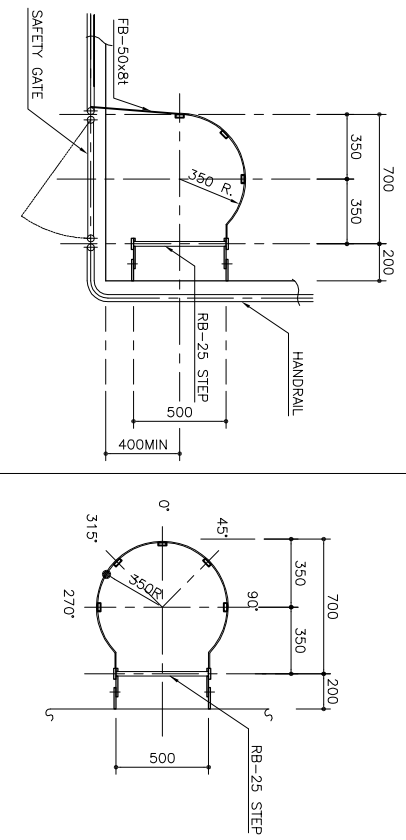
③ SECTION A-A

④ SECTION B-B

⑤ SECTION C-C

⑨ LADDER RUNG CONT.

⑩ MISCELLANEOUS DETAIL



AS-BUILT DRAWING

Prepared by KIK PRODUCTS CO.LTD	Checked by KIK PRODUCTS CO.LTD	Scale 1:1	Date 27/07/2016
Drawn by KIK PRODUCTS CO.LTD	Reviewed by KIK PRODUCTS CO.LTD	Project No. K-04	Rev. -